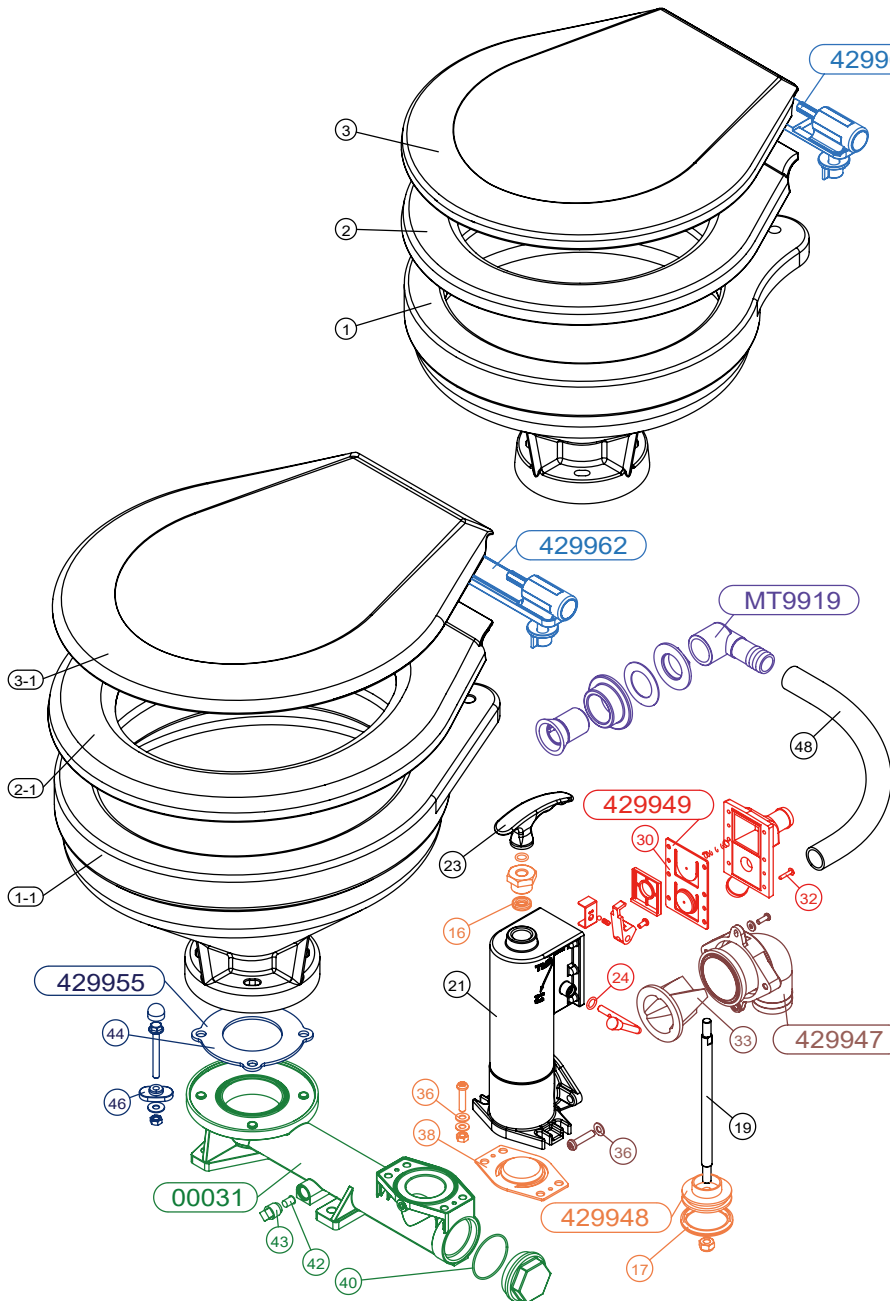


Service Parts For TMC Manual Toilet Model 29940, 29941(size 99901, 99903)



TMC-429952

SEAT & COVER W/ SLOW-CLOSE FEATURE (COMPACT SIZE)
ORDER NO. 504-0299520

TMC-429953

SEAT & COVER W/ SLOW-CLOSE FEATURE (DELUX SIZE)
ORDER NO. 504-0299530

TMC-429960

HINGE SET FOR TMC-429952 (W/ SLOW-CLOSE FEATURE)
ORDER NO. 504-0299600

TMC-429962

HINGE SET FOR TMC-429953 (W/ SLOW-CLOSE FEATURE)
ORDER NO. 504-0299620

TMC-0002801

PUMP UNIT, STANDARD FOR MANUAL TOILET
INCLUDE PARTS 429947, 429948, 429949, 19, 21 & 23
ORDER NO. 504-0299281

TMC-429949

PUMP INLET KITS FOR MANUAL TOILET
ORDER NO. 504-0299490

TMC-429947

PUMP OUTLET KITS FOR MANUAL TOILET
ORDER NO. 504-0299470

TMC-429948

PUMP SEAL & VALVE KITS FOR MANUAL TOILET
ORDER NO. 504-0299480

TMC-MT9919

PIPE JOINTS FOR MANUAL TOILET
ORDER NO. 504-0299019

TMC-00031

BASE UNIT FOR MANUAL TOILET
ORDER NO. 504-0299031

TMC-429955

BASE GASKET KITS FOR ELECTRIC TOILET
ORDER NO. 504-0299550

TMC-00032

REPAIR KITS FOR MANUAL TOILET
INCLUDE PARTS MT16, 17, 24, 30, 32, 33, 36, 38, 40, 42, 43, 44 & 46
ORDER NO. 504-0299032

TMC-0003501

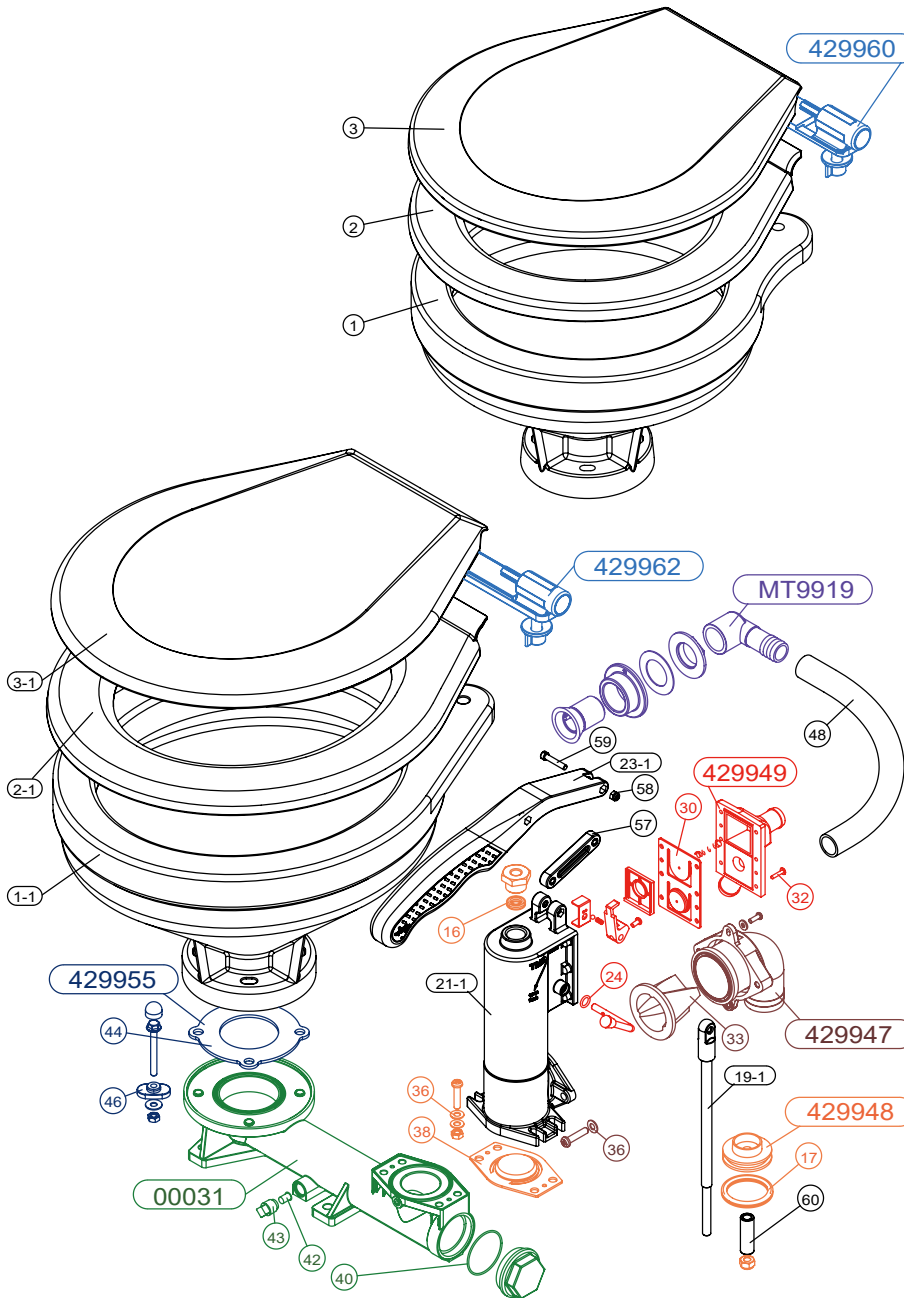
CONVERSION KITS FOR MANUAL TOILET WITH STANDARD PUMP
W/O PARTS NO. 1-8
ORDER NO. 504-0299351

KEY	DESCRIPTION
1	Closestool Body(99901)
2	Seat Cushion(99901)
3	Closestool Cover(99901)
1-1	Closestool Body(99903)
2-1	Seat Cushion(99903)
3-1	Closestool Cover(99903)
16	Seal
17	Seal
19	Shaft
21	Pump Housing
23	Grip

KEY	DESCRIPTION
24	O Ring
30	Inlet Valve
32	Valve Cover Tapping Screw
33	Bowl Valve
36	Flat Washer
38	Valve Flap
40	O Ring
42	Plug Packing
43	Drain Plug
44	Base Packing
46	Plastic Washer

- TMC TOILET SERVICE PARTS ARE SOLD BY PACKAGE.
- INDIVIDUAL PART LIST IS FOR REFERENCE ONLY.

Service Parts For TMC Manual Toilet Model 29942, 29943(size 99905, 99913)



KEY	DESCRIPTION
1	Closestool Body(99901)
2	Seat Cushion(99901)
3	Closestool Cover(99901)
1-1	Closestool Body(99903)
2-1	Seat Cushion(99903)
3-1	Closestool Cover(99903)
16	Seal
17	Seal
19-1	Shaft
21-1	Pump Housing
23-1	Grip
24	O Ring
30	Inlet Valve

KEY	DESCRIPTION
32	Valve Cover Tapping Screw
33	Bowl Valve
36	Flat Washer
38	Valve Flap
40	O Ring
42	Plug Packing
43	Drain Plug
44	Base Packing
46	Plastic Washer
57	Rod Link
58	Nut Lock
59	Bolt Set
60	Cooper Sleeve

TMC-429952

SEAT & COVER W/ SLOW-CLOSE FEATURE (COMPACT SIZE)
ORDER NO. 504-0299520

TMC-429953

SEAT & COVER W/ SLOW-CLOSE FEATURE (DELUX SIZE)
ORDER NO. 504-0299530

TMC-429960

HINGE SET FOR TMC-429952 (W/ SLOW-CLOSE FEATURE)
ORDER NO. 504-0299600

TMC-429962

HINGE SET FOR TMC-429953 (W/ SLOW-CLOSE FEATURE)
ORDER NO. 504-0299620

TMC-0002802

PUMP UNIT, ERGONOMIC FOR MANUAL TOILET
INCLUDE PARTS 429947, 429948, 429949, 19-1, 21-1, 23-1, 57, 58, 59 & 60
ORDER NO. 504-0299282

TMC-429949

PUMP INLET KITS FOR MANUAL TOILET
ORDER NO. 504-0299490

TMC-429947

PUMP OUTLET KITS FOR MANUAL TOILET
ORDER NO. 504-0299470

TMC-429948

PUMP SEAL & VALVE KITS FOR MANUAL TOILET
ORDER NO. 504-0299480

TMC-MT9919

PIPE JOINTS FOR MANUAL TOILET
ORDER NO. 504-0299019

TMC-00031

BASE UNIT FOR MANUAL TOILET
ORDER NO. 504-0299031

TMC-429955

BASE GASKET KITS FOR MANUAL TOILET
ORDER NO. 504-0299550

TMC-00032

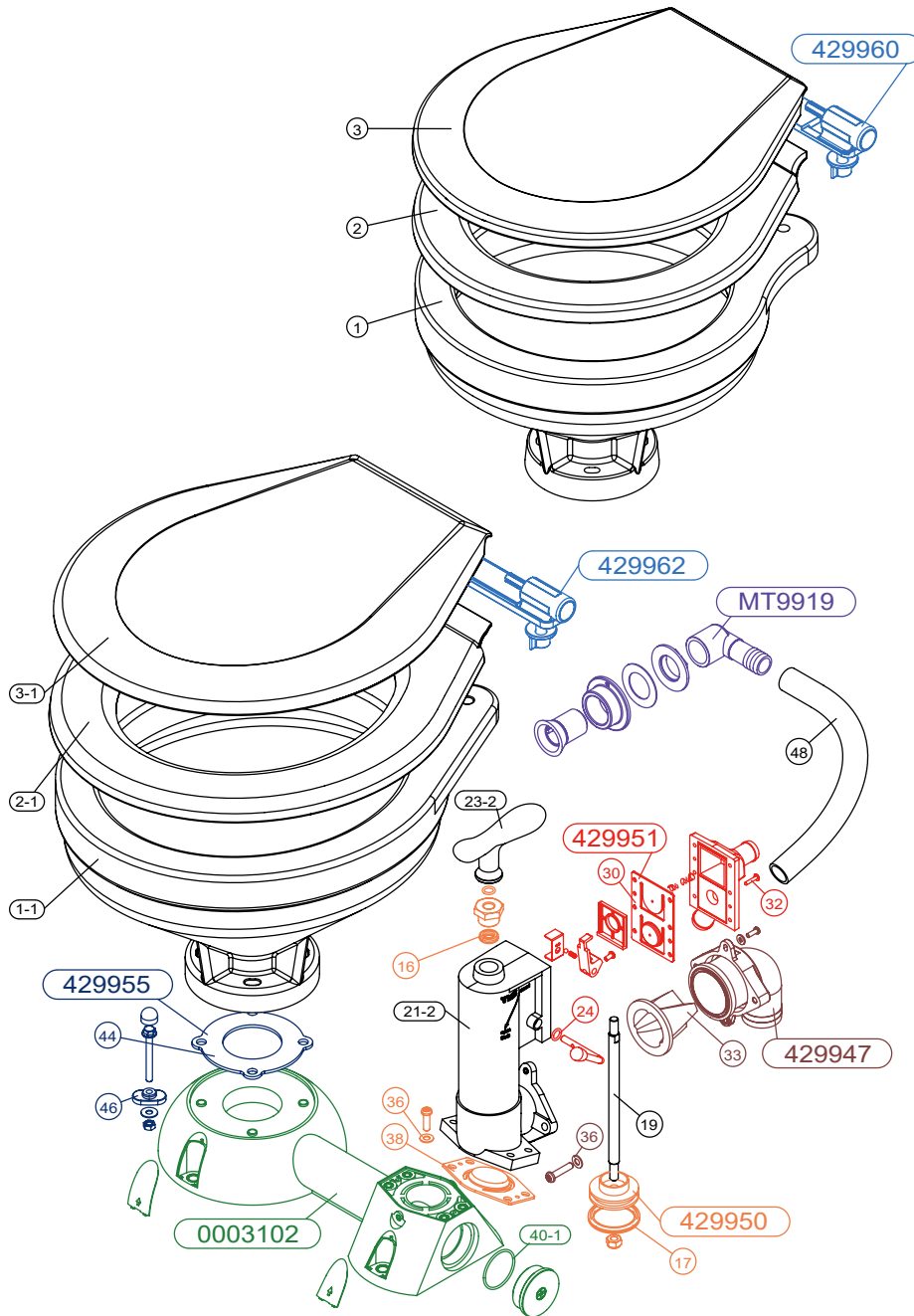
REPAIR KITS FOR MANUAL TOILET
INCLUDE PARTS MT16, 17, 24, 30, 32, 33, 36, 38, 40, 42, 43, 44 & 46
ORDER NO. 504-0299032

TMC-0003502

CONVERSION KITS FOR MANUAL TOILET WITH ERGONOMIC PUMP W/O PARTS NO. 1-8
ORDER NO. 504-0299352

- TMC TOILET SERVICE PARTS ARE SOLD BY PACKAGE.
- INDIVIDUAL PART LIST IS FOR REFERENCE ONLY.

Service Parts For TMC Manual Toilet Model 29944, 29945(size 9990103, 9990305)



KEY	DESCRIPTION
1	Closestool Body(99901)
2	Seat Cushion(99901)
3	Closestool Cover(99901)
1-1	Closestool Body(99903)
2-1	Seat Cushion(99903)
3-1	Closestool Cover(99903)
16	Seal
17	Seal
19	Shaft
21-2	Pump Housing

KEY	DESCRIPTION
23-2	Grip
24	O Ring
30	Inlet Valve
32	Valve Cover Tapping Screw
33	Bowl Valve
36	Flat Washer
38	Valve Flap
40-1	O Ring
44	Base Packing
46	Plastic Washer

TMC-429952

SEAT & COVER W/ SLOW-CLOSE FEATURE (COMPACT SIZE)
ORDER NO. 504-0299520

TMC-429953

SEAT & COVER W/ SLOW-CLOSE FEATURE (DELUX SIZE)
ORDER NO. 504-0299530

TMC-429960

HINGE SET FOR TMC-429952 (W/ SLOW-CLOSE FEATURE)
ORDER NO. 504-0299600

TMC-429962

HINGE SET FOR TMC-429953 (W/ SLOW-CLOSE FEATURE)
ORDER NO. 504-0299620

TMC-0002803

PUMP UNIT, ANGLED FOR MANUAL TOILET
INCLUDE PARTS 429947, 429950, 429951, 19, 21-2 & 23-2
ORDER NO. 504-0299283

TMC-429951

PUMP INLET KITS FOR MANUAL TOILET
ORDER NO. 504-0299510

TMC-429947

PUMP OUTLET KITS FOR MANUAL TOILET
ORDER NO. 504-0299470

TMC-429950

PUMP SEAL & VALVE KITS FOR MANUAL TOILET
ORDER NO. 504-0299500

TMC-MT9919

PIPE JOINTS FOR MANUAL TOILET
ORDER NO. 504-0299019

TMC-0003102

BASE UNIT FOR MANUAL TOILET
ORDER NO. 504-0299033

TMC-429955

BASE GASKET KITS FOR MANUAL TOILET
ORDER NO. 504-0299550

TMC-00032

REPAIR KITS FOR MANUAL TOILET
INCLUDE PARTS MT16, 17, 24, 30, 32, 33, 36, 38, 40, 42, 43, 44 & 46
ORDER NO. 504-0299032

TMC-0003503

CONVERSION KITS FOR MANUAL TOILET WITH ANGLED PUMP
W/O PARTS NO. 1-8
ORDER NO. 504-0299353

- TMC TOILET SERVICE PARTS ARE SOLD BY PACKAGE.
- INDIVIDUAL PART LIST IS FOR REFERENCE ONLY.